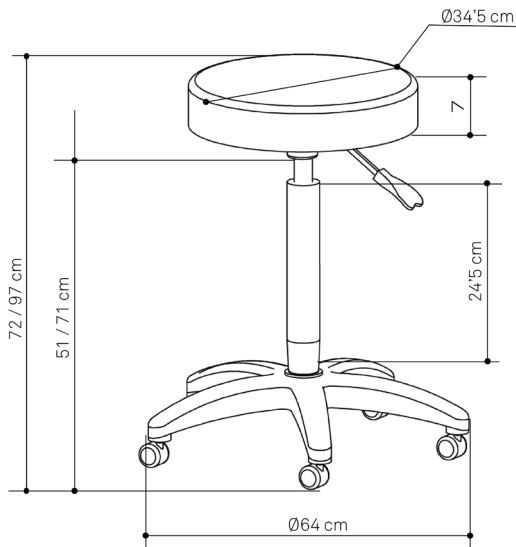


STOOL



A4003.1023A



A3202.1023A



A3069.1023A



A2001.1023A



A5069.1023A

General Specifications

DESCRIPTION

Practical stool ergonomically designed with a flat round seat.

Equipped with a gas lift to adjust height.

5-wheel chrome base.

UPHOLSTERY

Spradling PU

UPHOLSTERY SIZE
Ø34 x 7,5 cm

BASE DIAMETER
46 cm

UP AND DOWN
53 / 73 cm

PACKAGING SIZE

48 x 22 x 48 cm

N.W.KG
4

G.W.KG
5

OPTIONS

Lower gas lift:
Ref. 30004

UP AND DOWN
47/67 cm